

Fuel Sending Unit Upper Cover Installation

Service Category Engine/Hybrid System

Section Fuel System

Market USA

Toyota Supports
 ASE Certification 

Applicability

YEAR(S)	MODEL(S)	ADDITIONAL INFORMATION
2007 – 2010	Tundra	

Introduction

A Fuel Sending Unit Upper Cover has been developed as a separate service part for 2007-2010 MY Tundra vehicles to allow for individual replacement. This bulletin supplements the Repair Manual by providing the installation procedures and part number details for this component. Vehicles produced after the production change below utilize this replaceable Fuel Sending Unit Upper Cover.

Production Change Information

This TSB applies to vehicles produced **BEFORE** the Production Change Effective VINs shown below.

ENGINE	DRIVETRAIN	WHEEL BASE MM	CAB TYPE	BED LENGTH	PRODUCTION CHANGE EFFECTIVE VIN
1GR-FE	2WD	3220	Regular	Standard	5TF#U5F1#AX004413
		3700	Regular	8.0'	5TF#U5F1#AX022178
1UR-FE	2WD	3220	Regular	Standard	5TF#M5F1#AX001102
		3700	Double Crew	Standard	5TF#M5F1#AX008327
		4180	Double	8.0'	5TF#M5F1#AX001041
	4WD	3220	Regular	Standard	5TF#M5F1#AX001187
		3700	Double Crew	Standard	5TF#M5F1#AX006100
	2WD	4180	Double	8.0'	5TF#M5F1#AX001142
3UR-FE	2WD	3220	Regular	Standard	5TF#Y5F1#AX003293
		3700	Double Crew	Standard	5TF#Y5F1#AX083149
		4180	Double	8.0'	5TF#Y5F1#AX006569

Fuel Sending Unit Upper Cover Installation

Production Change Information (Continued)

ENGINE	DRIVETRAIN	WHEEL BASE MM	CAB TYPE	BED LENGTH	PRODUCTION CHANGE EFFECTIVE VIN
3UR-FE & 3UR-FBE (Flex Fuel)	4WD	3220	Regular	Standard	5TF#Y5F1#AX003843
		3700	Double Crew	Standard	5TF#Y5F1#AX114108
		4180	Double	Standard	5TF#W5F1#AX009956

Parts Information

CURRENT PART NUMBER	PART NAME
77642-0C020	Fuel Sending Unit Upper Cover
77100-0C180	1GR (4.0L) / 1UR (4.6L) / 2UZ (4.7L) - Fuel Tank Assy
77100-0C190	3UR-FE (5.7L) - Fuel Tank Assy
77100-0C200	3UR-FBE (5.7L Flex Fuel) - Fuel Tank Assy

NOTE

The fuel sending unit lower cover is installed and supplied as part of the fuel tank assembly part numbers listed in the part information table above.

Warranty Information

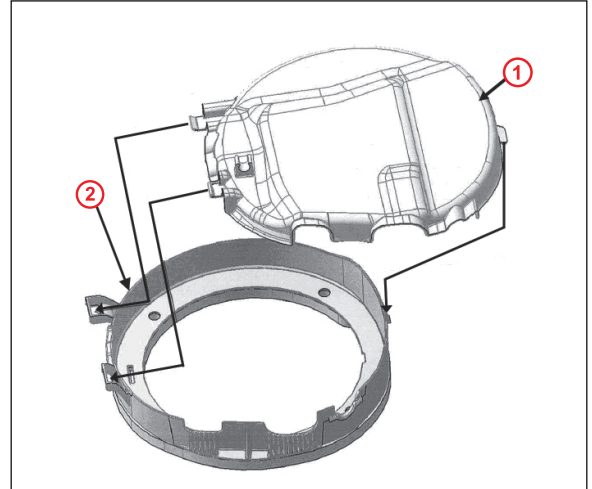
OP CODE	DESCRIPTION	TIME	OFP	T1	T2
N/A	Not Applicable to Warranty	-	-	-	-

Fuel Sending Unit Upper Cover Installation

Installation Procedure

1. Insert the tip of the fuel sender unit upper cover into the hole on the fuel sender unit lower cover (2 places).

Figure 1.



1	Fuel Sender Unit Upper Cover
2	Fuel Sender Unit Lower Cover

2. Fasten the tab of the fuel sender unit upper cover to the lip on the fuel sender unit lower cover (1 place).