

Part Number: PT936-0T100

Kit Contents

Item #	Quantity Reqd.	Description
1	1	Front Driver Door Guard
2	1	Front Passenger Door Guard
3	1	Rear Driver Door Guard
4	1	Rear Passenger Door Guard

Hardware Bag Contents

Item #	Quantity Reqd.	Description
1	N/A	
2		
3		

Additional Items Required For Installation

Item #	Quantity Reqd.	Description
1	A/R	Distilled water (spray bottle)
2	A/R	Lint-free towel
3	A/R	Blue painter's masking tape
4	1	Scissors

Conflicts

None

Recommended Tools

Personal & Vehicle Protection	Notes
None	
Special Tools	Notes
PPO Magnetic Template Set	IADS p/n = VEN10-D5-01
DIO Paper Door Templates	See last page of these instructions
Installation Tools	Notes
12-oz. rubber mallet	IADS p/n = PRI10-D5-02 Vaughan, P/N: SF12 (preferred rubber mallet)
Special Chemicals	Notes
None	

General Applicability

All

Recommended Sequence of Application

Item #	Accessory
1	
2	
3	







*Mandatory

NOTE: Part number of this accessory may not be the same as the part number shown.

Vehicle Service Parts (may be required for reassembly)

Item #	Quantity Reqd.	Description
1		
2		
3		

Legend

	STOP: Damage to the vehicle may occur. Do not proceed until process has been complied with.
	OPERATOR SAFETY: Use caution to avoid risk of injury.
	CAUTION: A process that must be carefully observed in order to reduce the risk of damage to the accessory/vehicle and to ensure a quality installation.
	TOOLS & EQUIPMENT: Used in Figures calls out the specific tools and equipment recommended for this process.
	REVISION MARK: This mark highlights a change in installation with respect to previous issue.
	SAFETY TORQUE: This mark indicates that torque is related to safety.

Care must be taken when installing this accessory to ensure damage does not occur to the vehicle. The installation of this accessory should follow approved guidelines to ensure a quality installation.

These guidelines can be found in the "Accessory Installation Practices" document.

This document covers such items as:-

- Vehicle Protection (use of covers and blankets, cleaning chemicals, etc.).
- Safety (eye protection, rechecking torque procedure, etc.).
- Vehicle Disassembly/Reassembly (panel removal, part storage, etc.).
- Electrical Component Disassembly/Reassembly (battery disconnection, connector removal, etc.).

Please see your Toyota dealer for a copy of this document.

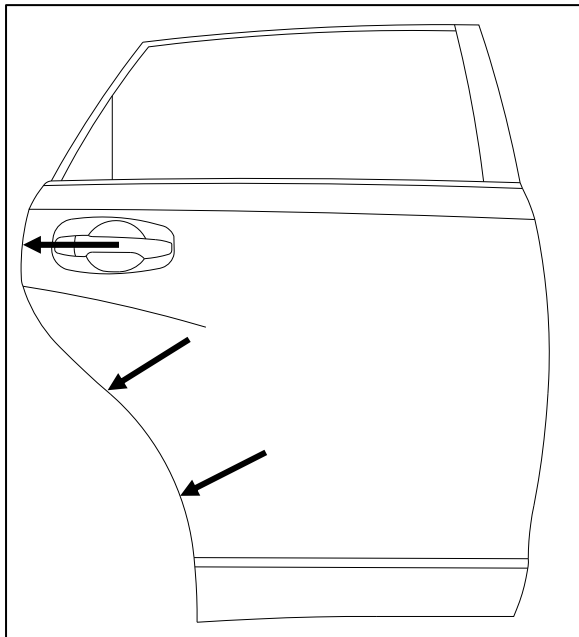


Fig. 1-1

1. Installation of Door Edge Guard (DEG)

- (a) Open rear passenger door and clean and dry trailing edge of door as needed with distilled water and lint free towel. (Fig. 1-1)

NOTE: If being installed at Port, all references to “template” refer to a magnetic template. If being installed by a dealer or individual, all references are to the paper templates located on the last page of these instructions.

- (b) If you will be using the paper templates, please use scissors and carefully cut them out at this time.

NOTE: Templates are reversible for use on both sides of the vehicle.

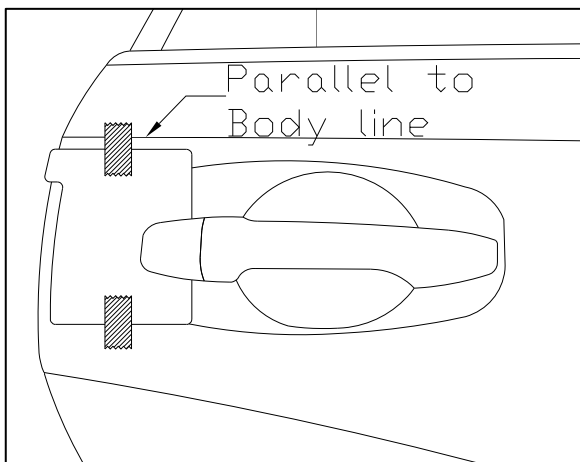


Fig. 1-2

- (c) Select rear door template and fit notch around door handle. Adjust as needed to ensure it is parallel to body line directly above the template. If needed, tape into place using painter’s masking tape. (Fig 1-2)

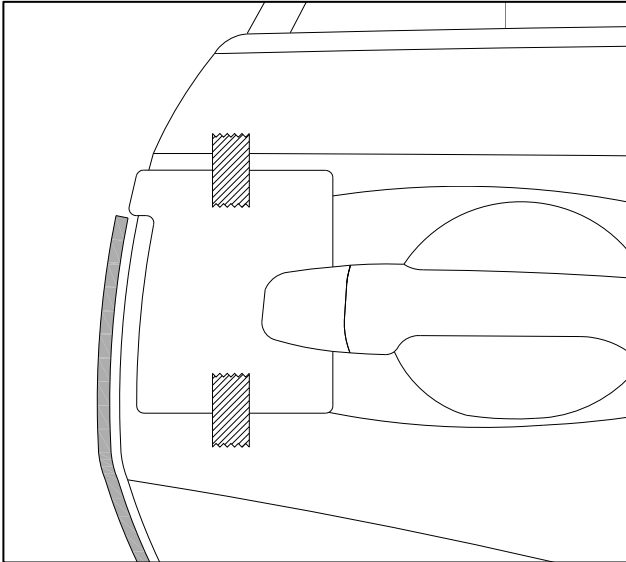


Fig. 1-3

- (d) Align top edge of the DEG, (labeled Rear Passenger) with lower edge of template alignment notch as shown.

NOTE: Top end can be identified by matching the profile of DEG to the door profile. (Fig 1-3)

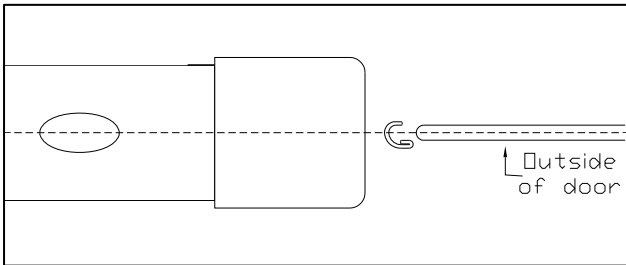


Fig. 1-4



NOTE: BEFORE PROCEEDING IT IS EXTREMELY IMPORTANT TO PROPERLY ALIGN THE DOOR EDGE, DOOR EDGE GUARD CHANNEL AND MALLET AS SHOWN IN FIG. 1-4

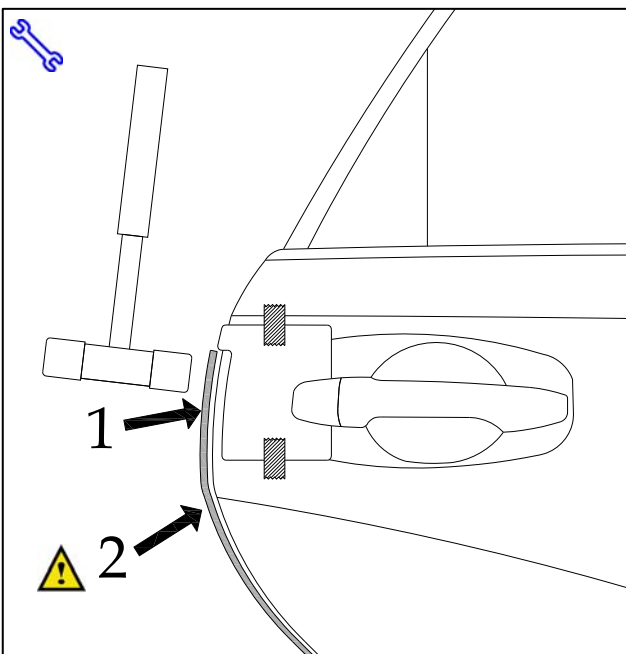


Fig. 1-5

- (e) While holding DEG in proper alignment with one hand (Fig. 1-5, arrow #1), use **soft side of the rubber mallet** to begin tapping the channel onto the door edge starting at the top of the DEG. (Fig 1-5)



- (f) As you continue down the door, stop when you come to the second cut-out relief located on the back edge of the DEG (Fig 1-5, arrow #2) and ensure the DEG is still correctly aligned before proceeding down the door.

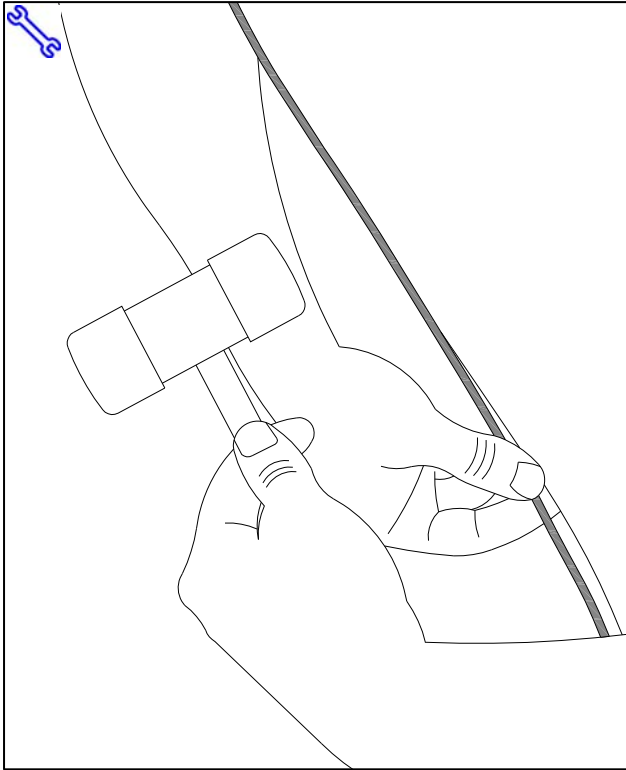


Fig. 1-6

- (g) Continue tapping channel onto door edge moving toward the bottom of door. Use your other hand to steady and guide DEG as you go. (Fig.1-6)



NOTE: IT IS IMPORTANT TO PROPERLY SEAT CHANNEL AS YOU PROCEED DOWN AND AROUND THE CURVES OF THE DOOR.

- (h) With DEG engaged the full length of door, begin at top and proceed tapping (use soft side of mallet) with moderate blows down entire length to ensure channel is fully seated.
- (i) Once this is completed, carefully use firmer side of mallet to very lightly tap down the length of the DEG. If fully seated you should hear a solid report from the tapping.

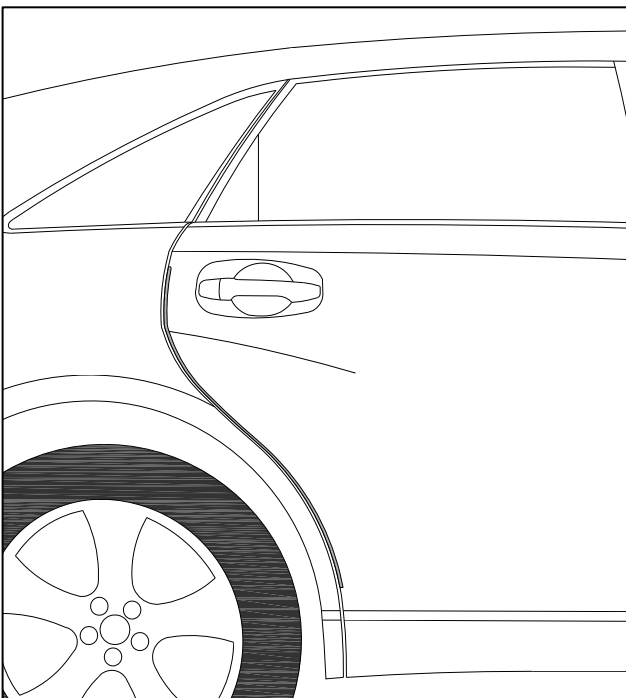


Fig. 1-7



NOTE: Intended purpose of this step is to listen for a solid report in response to light taps to confirm DEG is fully seated. **THE FIRMER SIDE OF THE MALLETT CAN DAMAGE THE DEG IF USED WITH MODERATE OR HEAVY BLOWS.** If audible report received with light tap indicates DEG is not fully seated, repeat steps 1(h) and 1(i).

- (j) Carefully close rear door and ensure DEG has sufficient clearance from any adjoining body panel. Carefully remove template from door and retain for use on driver side. (Fig. 1-7)

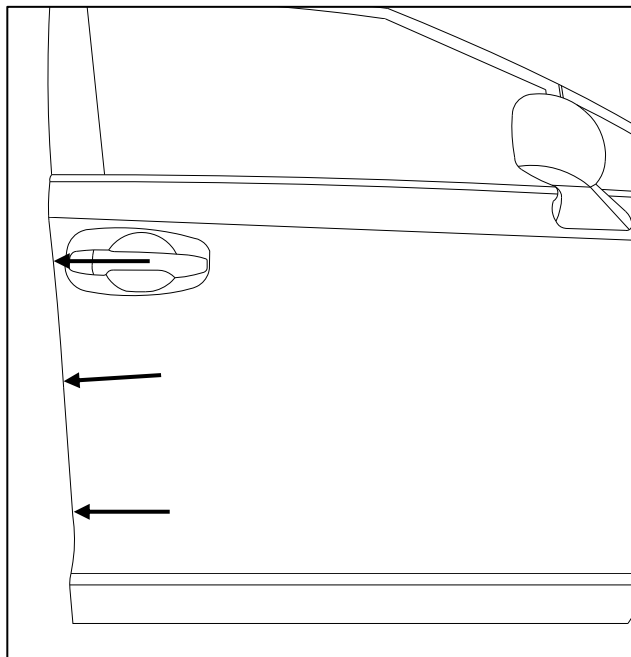


Fig. 1-8

- (k) Open front passenger door and clean and dry trailing edge of door as needed with distilled water and lint free towel. (Fig. 1-8)

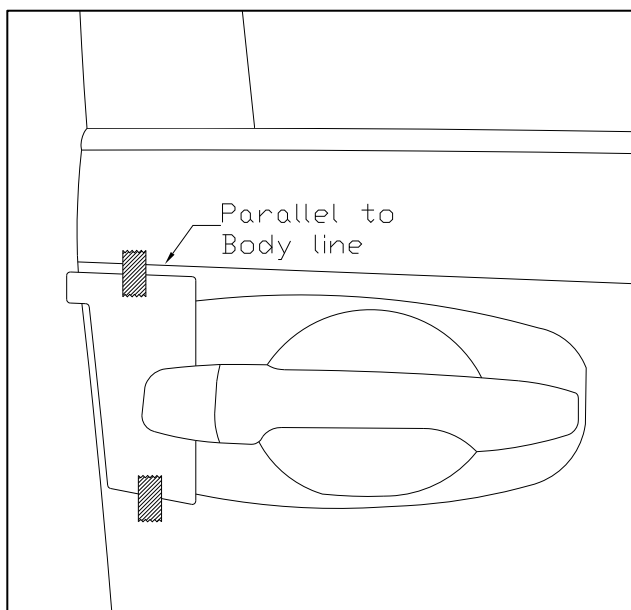


Fig. 1-9

- (l) Select front door template and fit notch around door handle. Adjust as needed to ensure it is parallel to body line directly above the template. If needed, tape into place using painter's masking tape. (Fig 1-9)

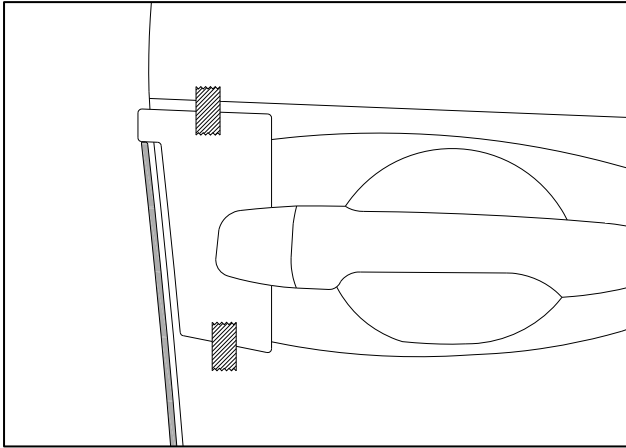


Fig. 1-10

- (m) Align top edge of DEG (labeled Front Passenger) with lower edge of template alignment notch as shown. **NOTE:** The bottom of the front passenger DEG has a small cutout relief located approximately 3 inches from the end. (Fig 1-10).

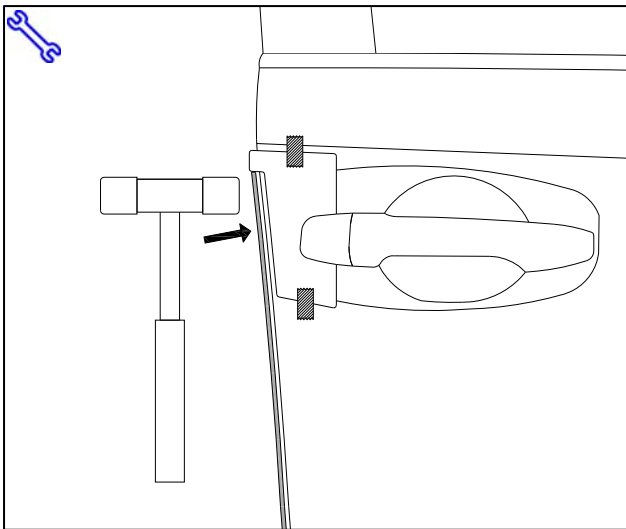


Fig. 1-11

- (n) While holding DEG in proper alignment with one hand (indicated by arrow), use **soft side of the rubber mallet** to begin tapping the channel onto the door edge starting at the top of the DEG. (Fig 1-11)

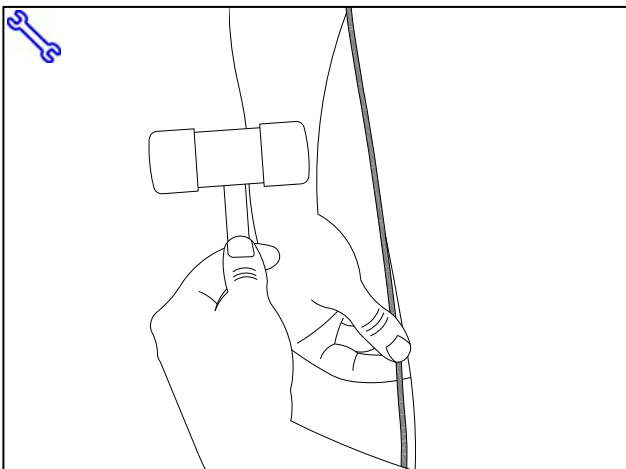


Fig. 1-12

- (o) Once the top of the DEG channel is seated on door edge, continue tapping the channel onto door edge moving toward the bottom of door. Use your other hand to steady and guide the DEG as you go. (Fig.1-12)



NOTE: IT IS IMPORTANT TO PROPERLY SEAT THE CHANNEL AS YOU PROCEED DOWN DOOR.

(p) With DEG engaged the full length of door, begin at top and proceed tapping with moderate blows (**use soft side of mallet**) down entire length to ensure channel is fully seated.

(q) Once this is completed, carefully use the firmer side of mallet to **very lightly** tap down the length of the DEG. If fully seated you should hear a solid report from the tapping.



NOTE: Intended purpose of this step is to listen for a solid report in response to light taps to confirm DEG is full seated. **THE FIRMER SIDE OF THE MALLET CAN DAMAGE THE DEG IF USED WITH MODERATE OR HEAVY BLOWS.** If audible report received with light tap indicates DEG is not fully seated, repeat steps 1(p) and 1(q).

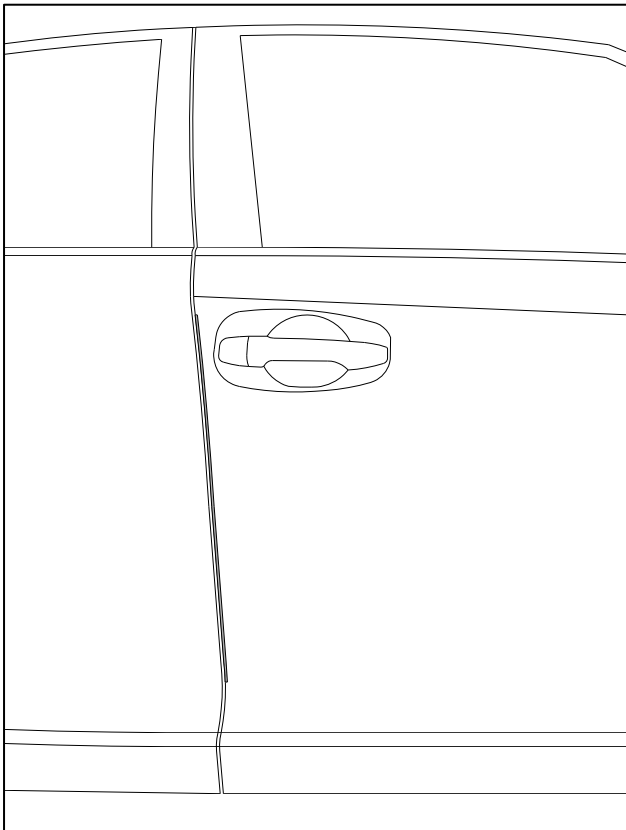


Fig. 1-13

(r) Carefully close front door and ensure DEG has sufficient clearance from any adjoining body panel. Carefully remove template from door and retain for use on driver side.

(Fig. 1-13)

(s) Repeat steps 1(a) thru 1(r) on the driver side of vehicle.

Checklist - these points **MUST** be checked to ensure a quality installation.

Check:

Look For:

Accessory Function Checks

- Confirm all Door Edge Guards are fully seated

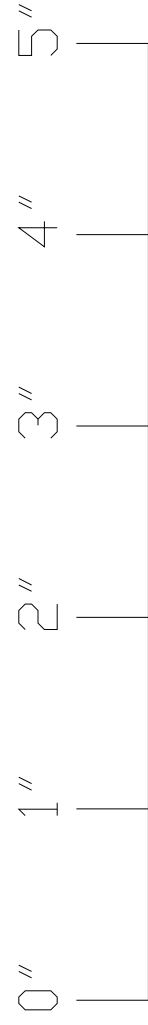
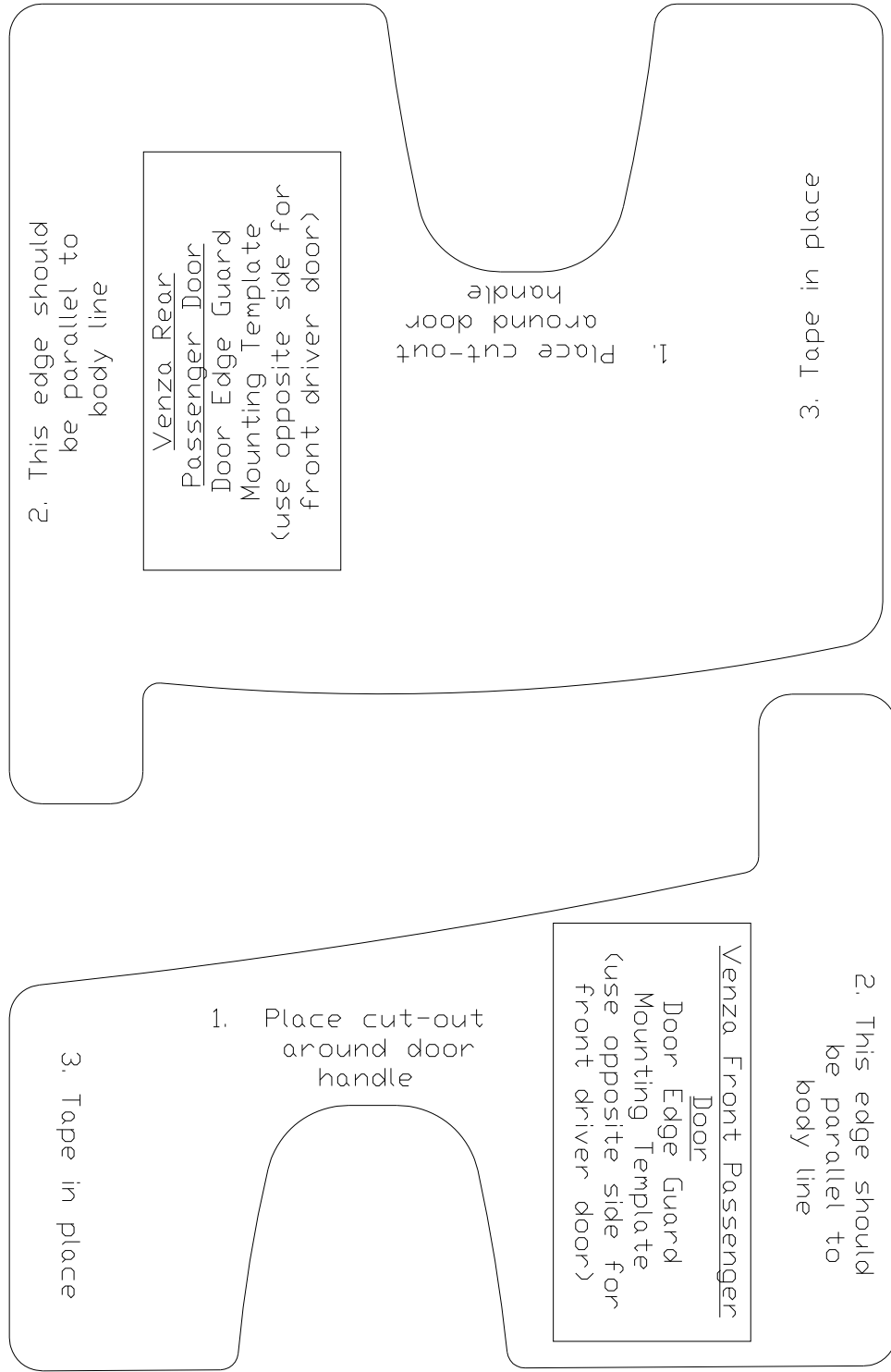
Look for a fairly consistent gap between the DEG and adjoining vehicle panels.

NOTE: A slight difference in gap from top to bottom may not be an improperly seated DEG. The can also be a result of normal vehicle manufacturing tolerance.

Vehicle Function Checks

- Vehicle door operation

Confirm all four vehicle doors open and close without interference from DEG.



Dealer Installation Note: Check above scale to ensure it is 1:1. Adjust on photocopier if it is not to scale.