



**Technical Service  
BULLETIN**

June 7, 2004

Title:

# REAR SEAT CENTER ARMREST CUP HOLDER

Models:

'03 – '04 4Runner

REVISSED  
BODY  
B0010-04

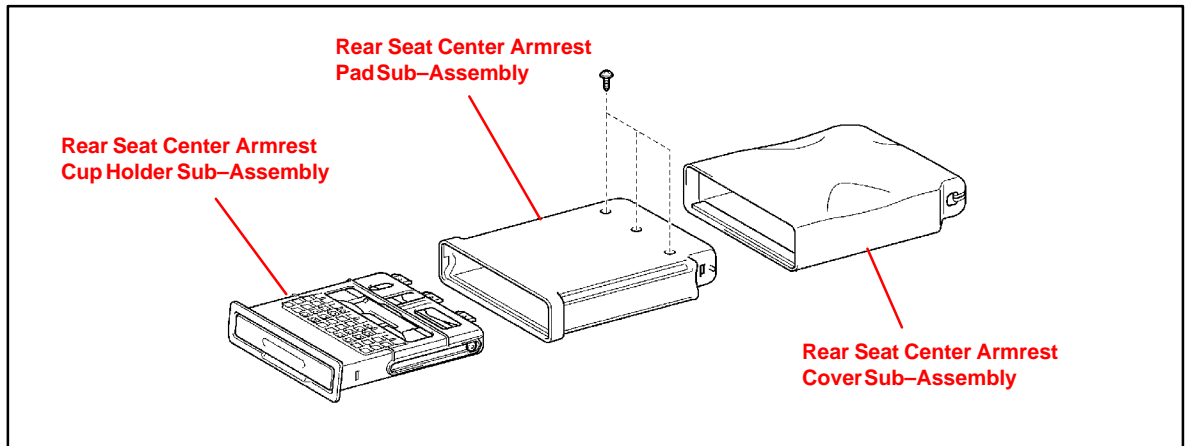
**TSB REVISION NOTICE:**

October 12, 2004: The image for Repair Procedure 5B (page 3) has been updated. The previous TSB should be discarded.

**Introduction** The rear seat armrest and cup holder are now available as separate spare parts. Now, when replacing the cup holder, the rear seat armrest assembly does not have to be replaced.

**NOTE:**

If the customer is experiencing an armrest cup holder rattle, please refer to TSB No. NV006-03 "Rear Seat Center Armrest Cup Holder Rattle."



**Applicable Vehicles** • 2003 – 2004 model year 4Runner vehicles.

**Parts Information**

| PREVIOUS PART NUMBER | CURRENT PART NUMBER | PART NAME                           | QTY |
|----------------------|---------------------|-------------------------------------|-----|
| N/A                  | 72806-35010-##      | Rear Seat Center Armrest Cup Holder | 1   |
| N/A                  | 93560-54016         | Tapping Screw                       | 3   |

**Warranty Information**

| OP CODE | DESCRIPTION                | TIME | OFF | T1 | T2 |
|---------|----------------------------|------|-----|----|----|
| N/A     | Not Applicable to Warranty | -    | -   | -  | -  |



**Repair Procedure**

**NOTE:**

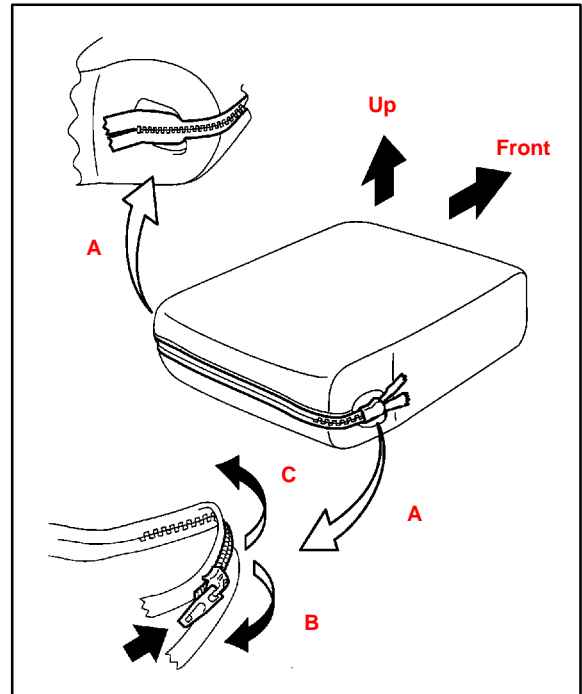
If the customer is experiencing an armrest cup holder rattle, please refer to TSB No. NV006-03 "Rear Seat Center Armrest Cup Holder Rattle."

1. Remove Armrest from Seat.
2. Open Zipper on Rear of Armrest.

**NOTE:**

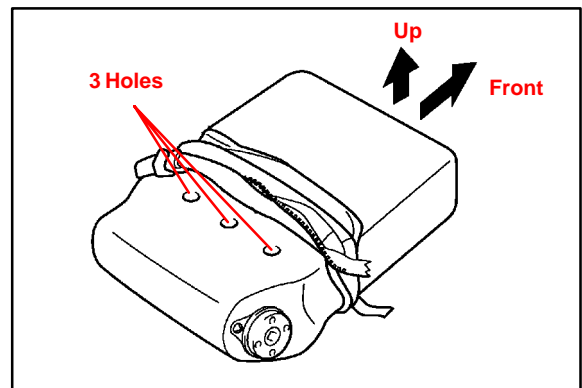
The zipper is installed with its tabs tucked into the inside of the cover.

- A. The ends of the zipper are concealed in the cover. Pull out both ends of the zipper from the cover.
- B. To unlock the zipper, flip the zipper's tab so that it points away from the direction the zipper will be opened.
- C. Open the zipper by pushing the tip of the tab.



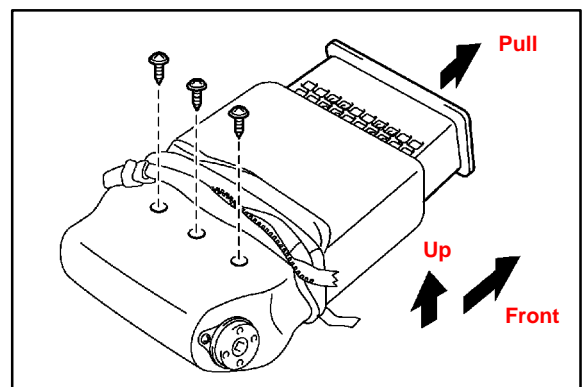
3. Roll Up Cover.

- A. After opening the zipper, roll up the cover.
- B. Roll up the cover until the foam pad's 3 holes are revealed.



4. Remove Cup Holder.

- A. Remove the screws from each of the 3 holes.
- B. Pull the cup holder out of the armrest. If the cup holder is difficult to remove, hold the armrest with the cup holder facing down and shake the armrest for cup holder removal.



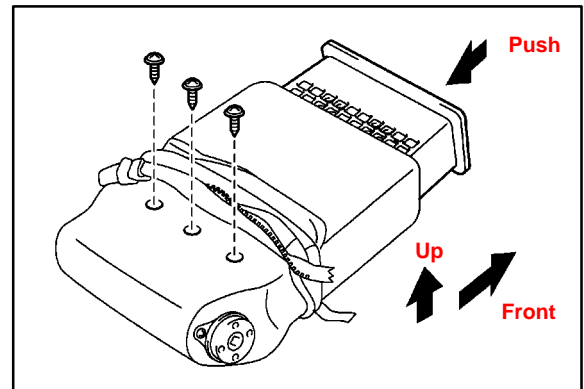
**NOTE:**

Be careful not to drop the cup holder.

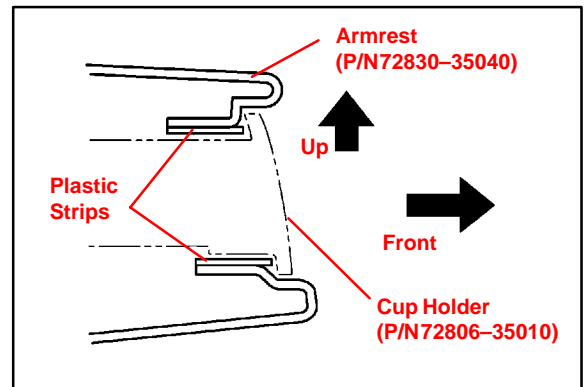
**Repair Procedure**  
(Continued)

**5. Install New Cup Holder.**

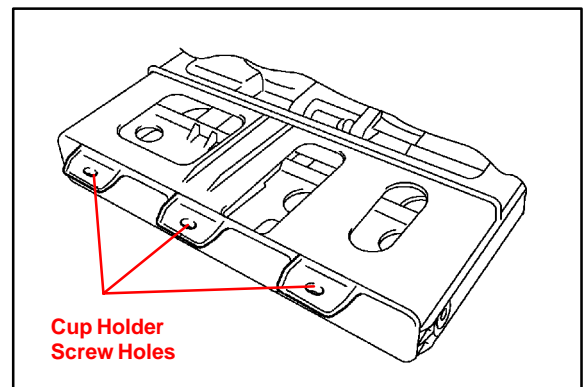
A. Install the new cup holder by pushing it into the opening of the armrest.



B. When pushing the cup holder into the armrest, make sure that the plastic strips are retracted into the armrest interior.



C. Insert the cup holder until the cup holder's screw holes are aligned with the 3 circular holes on the armrest. After the cup holder has been aligned, once again make sure that the plastic strips are retracted into the armrest interior.



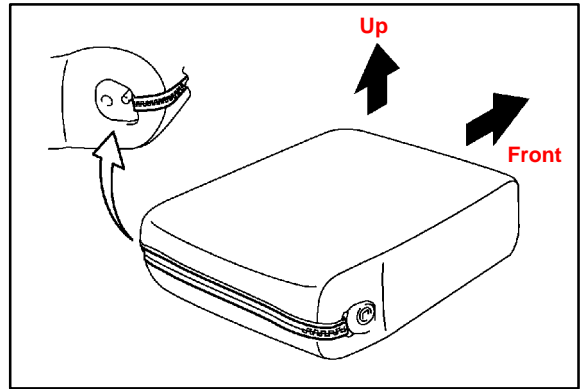
D. Install a screw in each of the 3 holes on the armrest to affix the armrest to the cup holder.

E. Make sure that the cup holder is secure by pulling on the cup holder.

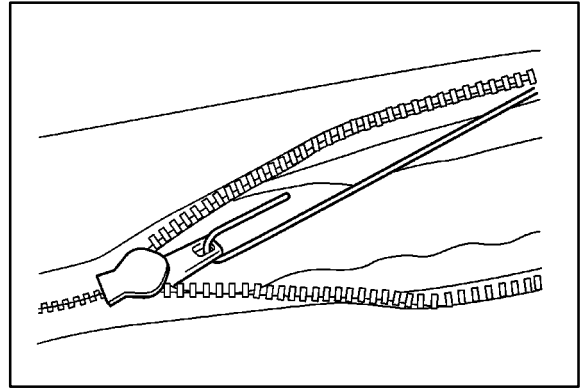
**Repair Procedure**  
(Continued)

**6. Return Cover and Zipper to Their Original State.**

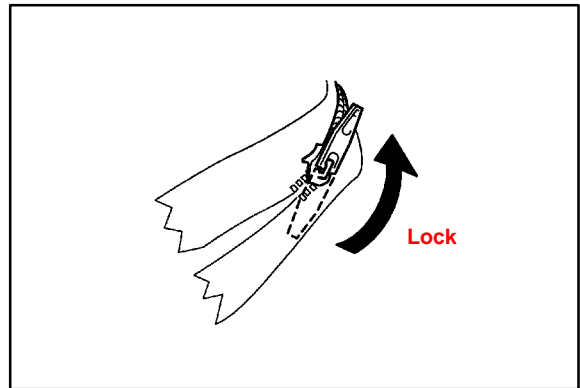
- A. Unroll the cover and close the zipper.



**HINT:**  
Use a piece of wire or a paper clip to facilitate re-zipping the zipper.



- B. To lock the zipper, flip the zipper's tab so that it faces the direction the zipper would be opened.
- C. Conceal the ends of the zipper inside the cover.



**7. Install Armrest to Seat.**

**NOTE:**  
Be careful not to damage the zipper or other exterior portions of the armrest.